



BETA UTENSILI spa

Via Alessandro Volta, 18  
20050 SOVICO (MI) ITALY

Tel. +39.039.2077.1

Fax +39.039.2010742

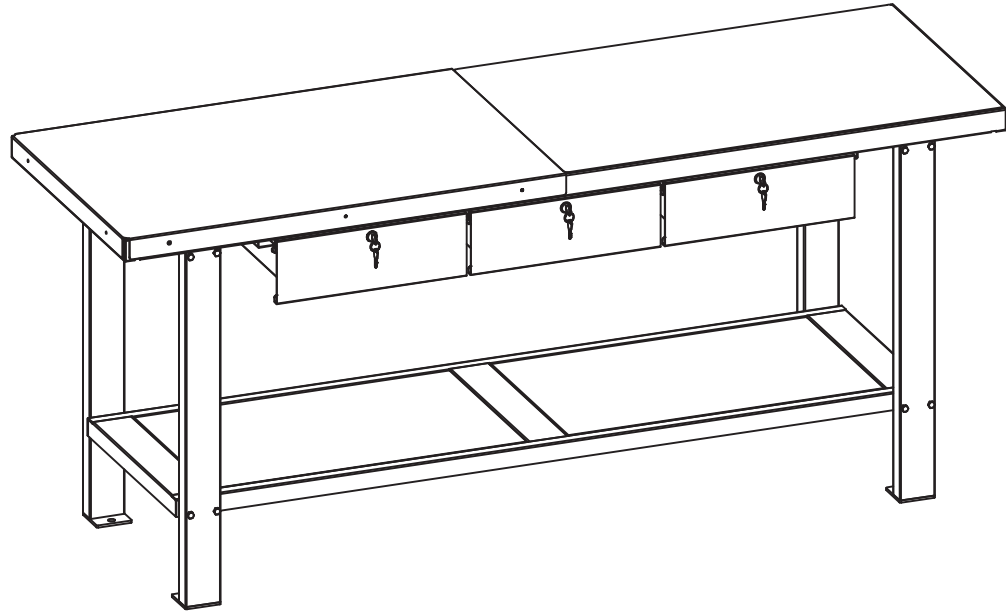
www.beta-tools.com

e-mail: info@beta-tools.com

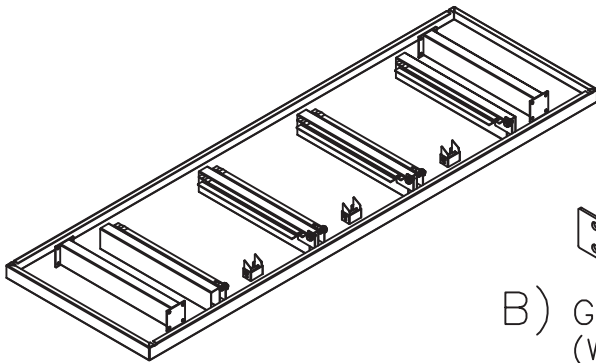
# BANCO DA LAVORO ISTRUZIONI DI MONTAGGIO

## C56M

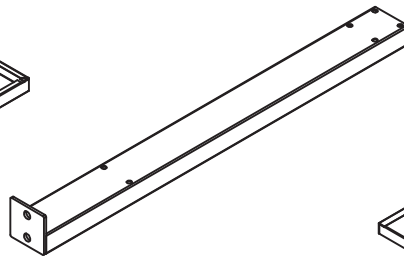
(WORK BENCH, ASSEMBLY INSTRUCTIONS)



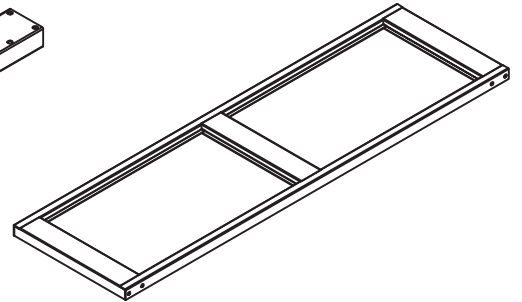
### LISTA DELLE PARTI (PARTS LIST)



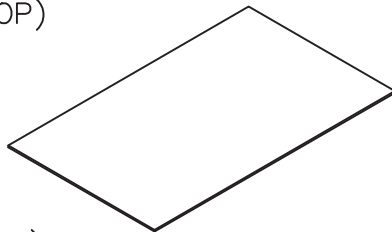
A) PIANO DI LAVORO  
(WORK BENCH TOP)  
(1PC)



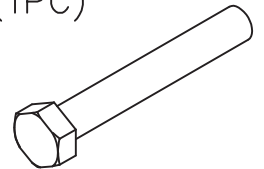
B) GAMBA  
(WORK BENCH LEG)  
(4PCS)



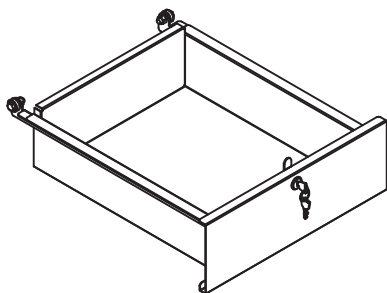
C) RIPIANO  
(STEEL SHELF)  
(1PC)



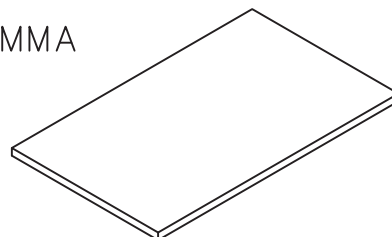
H) TAPPETINO IN GOMMA  
(RUBBER MAT)  
(1PC)



F) VITE M8X55  
(BOLT M8X55)  
(24+1PCS)



D) CASSETTO  
(DRAWER)  
(3PCS)

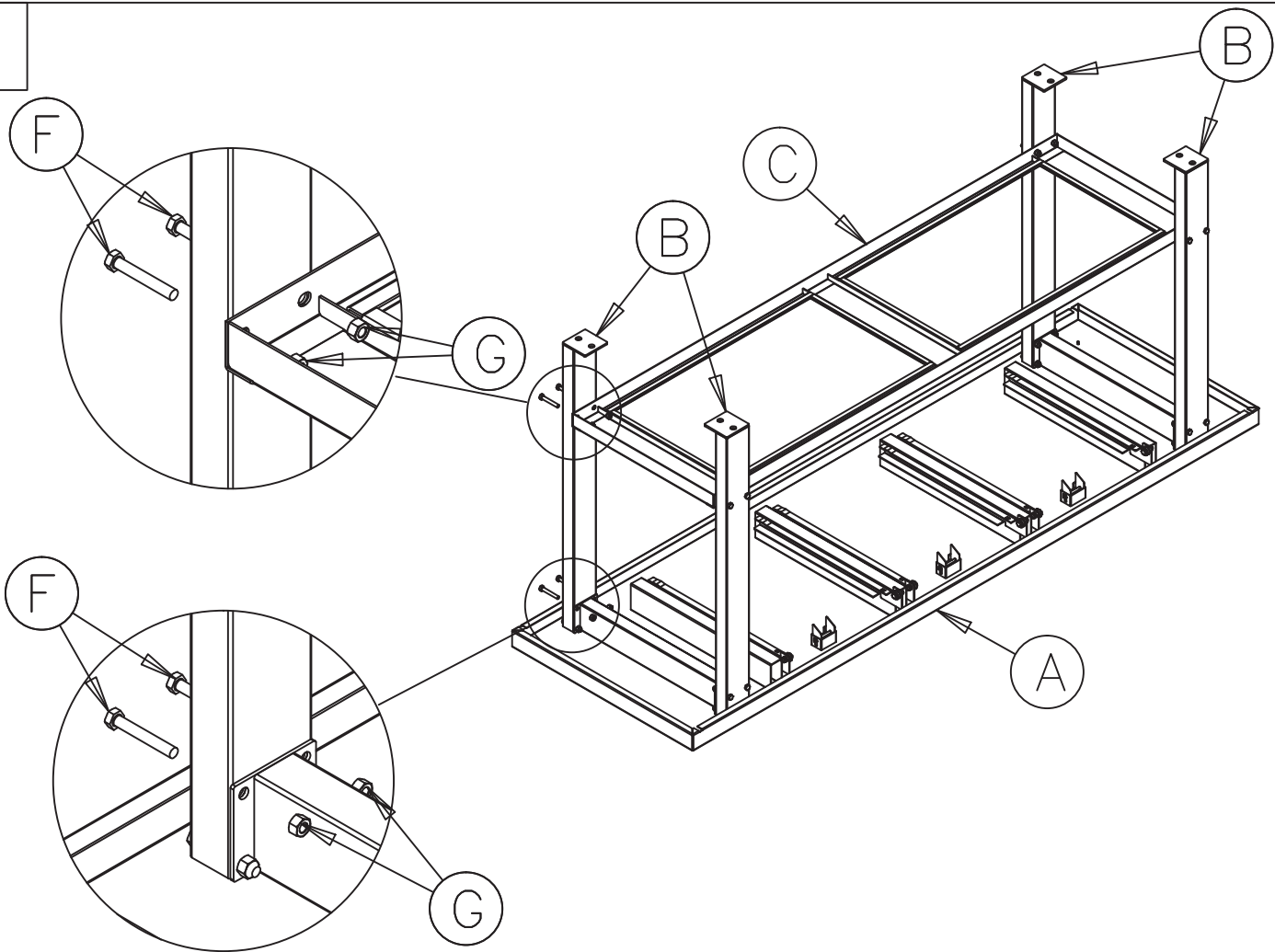


E) RIPIANO IN LEGNO  
(WOODEN SHELF)  
(2PCS)



G) DADO M8  
(NUT M8)  
(24+1PCS)

1



2

