

PARTS LIST

| ITEM | DESCRIPTION | QTY. |
|------|--------------------------|------|
| W1 | Top Panel | 1 |
| W2 | Left Side Panel | 1 |
| W3 | Right Side Panel | 1 |
| W4 | Back Panel | 1 |
| W5 | Door Frame | 1 |
| W6 | Adjustable Shelf | 3 |
| W7 | Bottom Shelf | 1 |
| W8 | Left Door | 1 |
| W9 | Right Door | 1 |
| W10 | Frontal Adjustable Panel | 1 |

HARDWARE CONTENTS

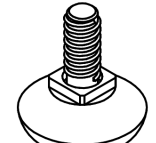
| NO. | DESCRIPTION | QTY. |
|-----|-----------------|------|
| A | Screws ST6×12 | 15+1 |
| B | Bolts M5×16 | 4 |
| C | Adjustable Feet | 4 |



A

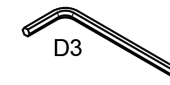


B

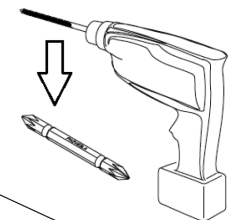


C

RECOMMENDED TOOLS FOR INSTALLATION

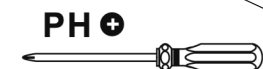


FOR B



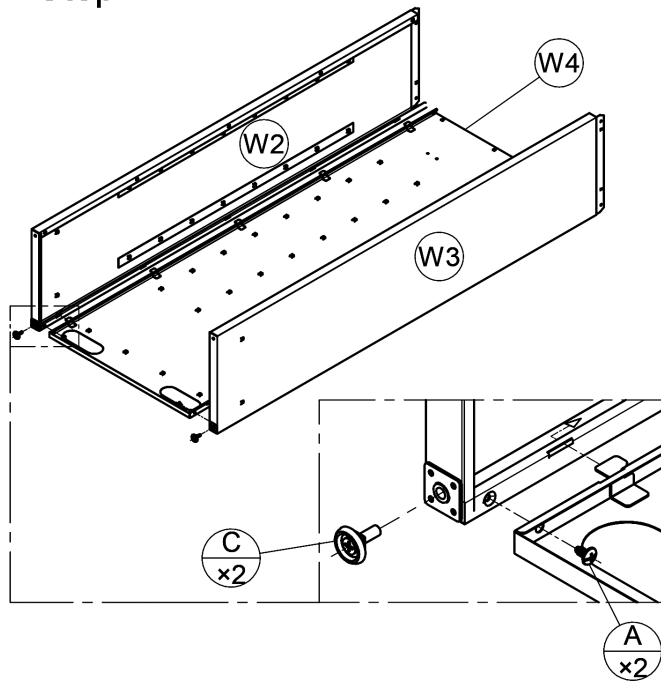
OR

FOR A

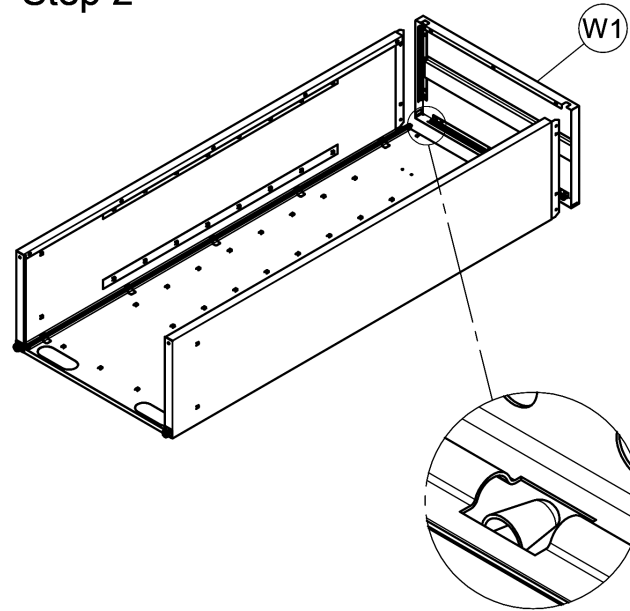




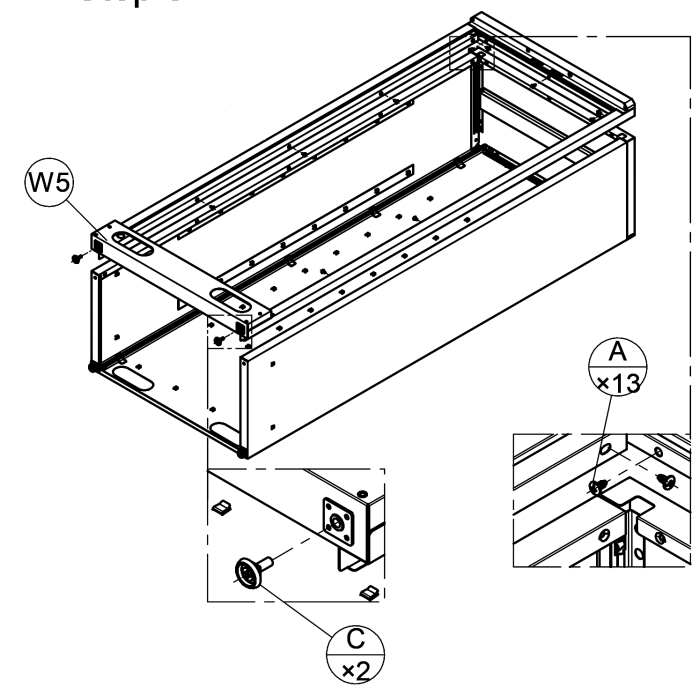
Step 1



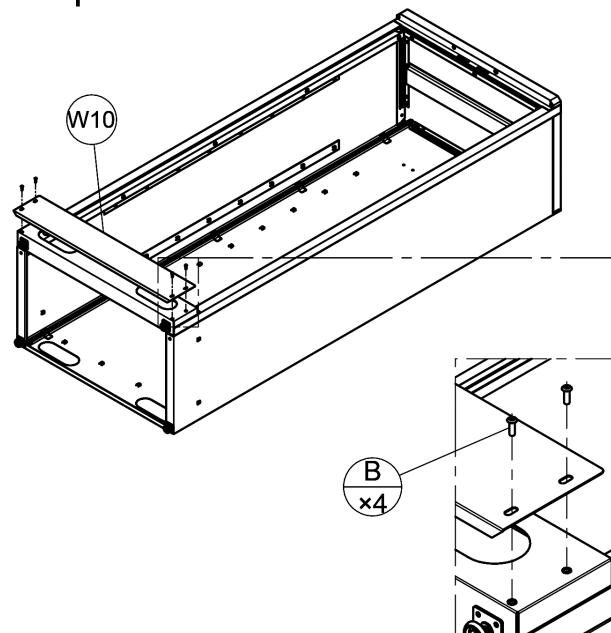
Step 2



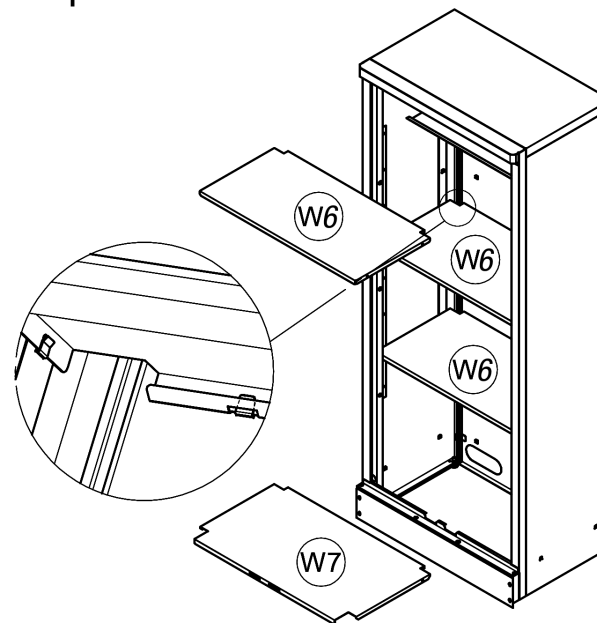
Step 3



Step 4



Step 5



Step 6

