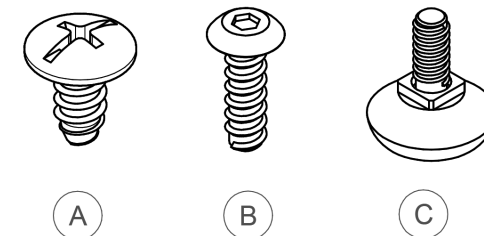


PARTS LIST

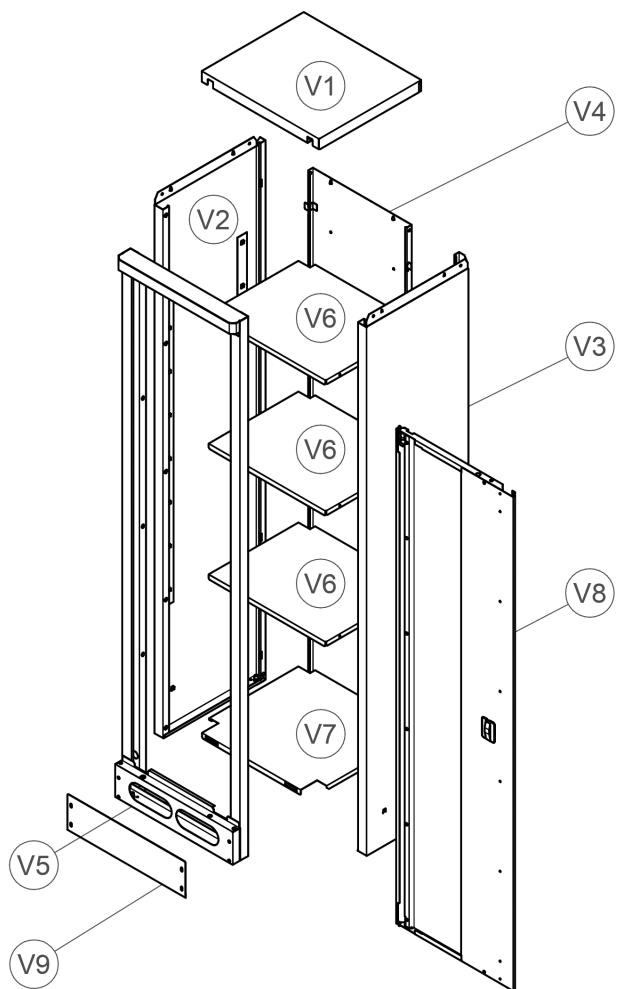
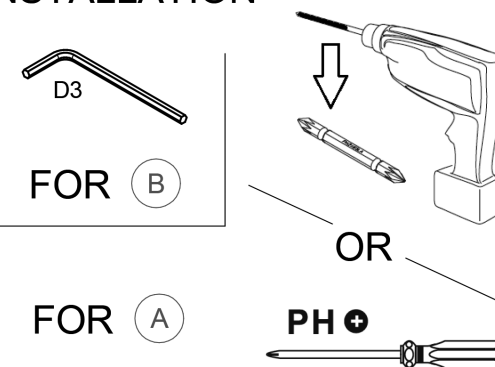
ITEM	DESCRIPTION	QTY.
V1	Top Panel	1
V2	Left Side Panel	1
V3	Right Side Panel	1
V4	Back Panel	1
V5	Door Frame	1
V6	Adjustable Shelf	3
V7	Bottom Shelf	1
V8	Door	1
V9	Frontal Adjustable Panel	1

HARDWARE CONTENTS

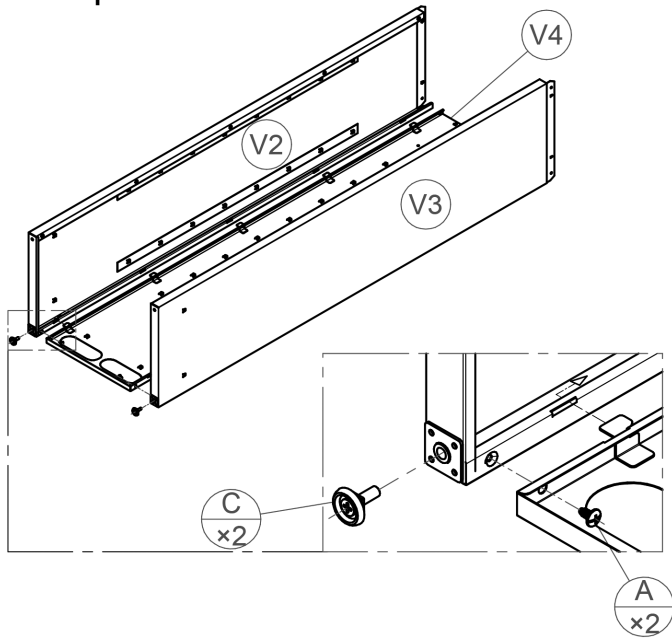
NO.	DESCRIPTION	QTY.
A	Screws ST6×12	14+1
B	Bolts M5×16	4
C	Adjustable Feet	4



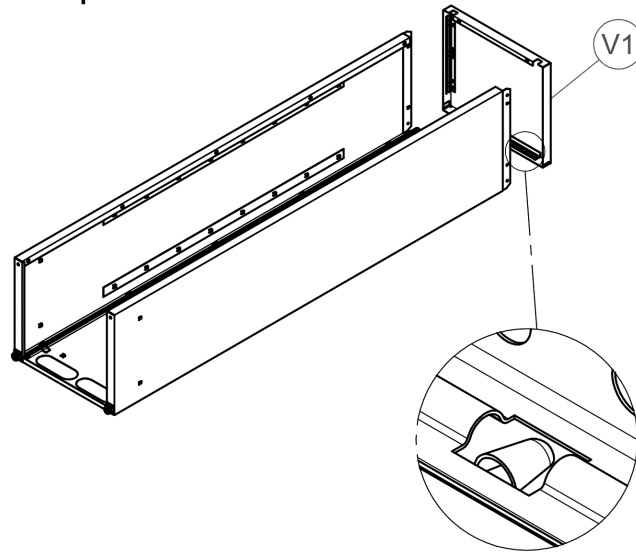
RECOMMENDED TOOLS FOR INSTALLATION



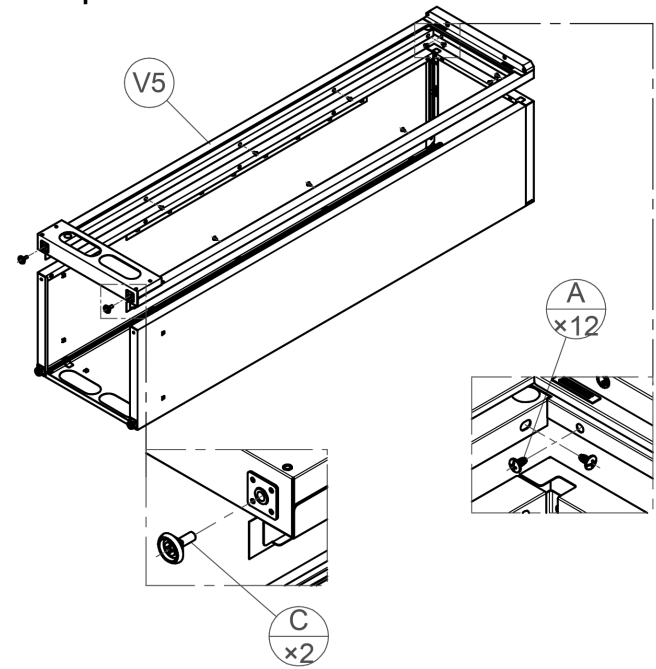
Step 1



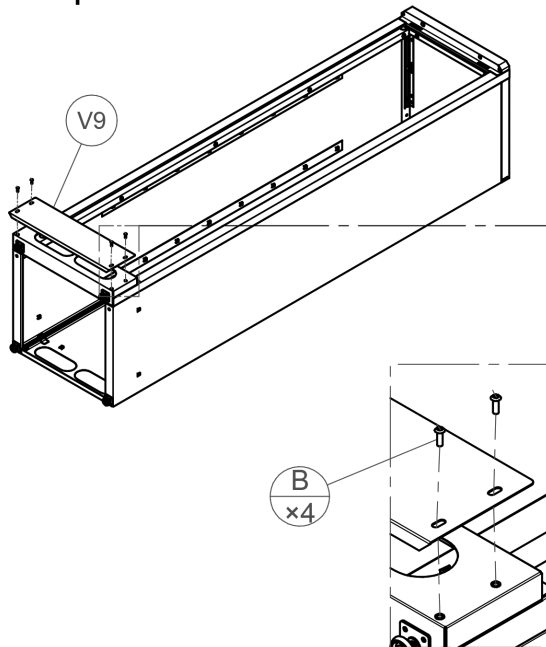
Step 2



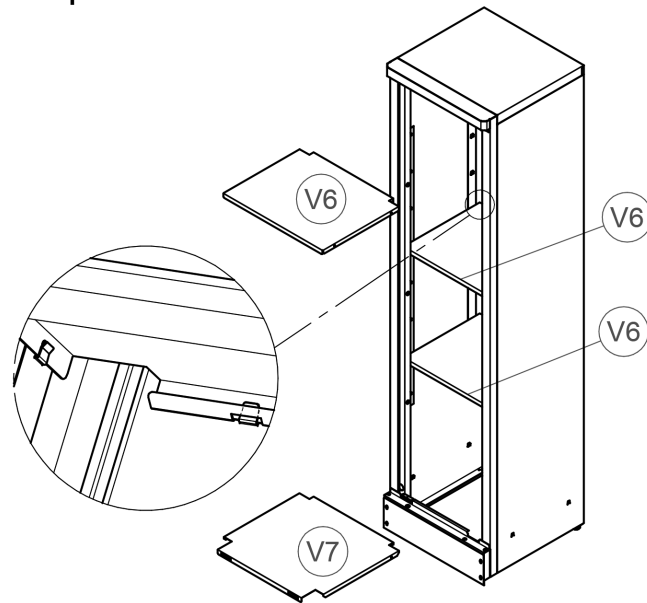
Step 3



Step 4



Step 5



Step 6

