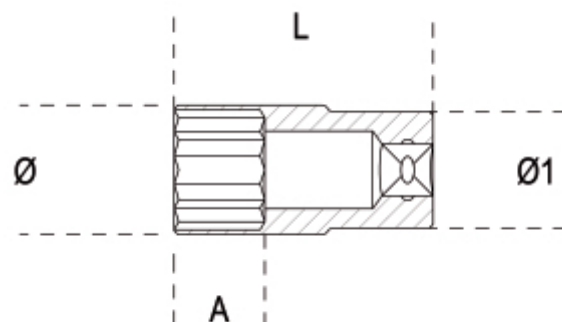


910AL головка торцовая шестигранная, удлиненная серия


UNI/ISO 2725 DIN 3124



art.	mm	Ø mm	L mm	Ø1 mm	A mm	g
009100158	8	12,0	55	17	7	33
009100159	9	13,0	55	17	7	37
009100160	10	14,5	55	17	9	43
009100161	11	16,0	55	17	10	49
009100162	12	17,0	55	17	12	50
009100163	13	18,0	55	17	12	52
009100164	14	20,0	55	18	15	68
009100165	15	21,0	55	20	15	75
009100166	16	22,0	55	20	15	77
009100167	17	23,5	55	22	15	90
009100168	18	24,5	55	23	18	100
009100169	19	25,0	55	24	18	100
009100171	21	27,0	65	26	18	133
009100172	22	29,0	65	28	21	150